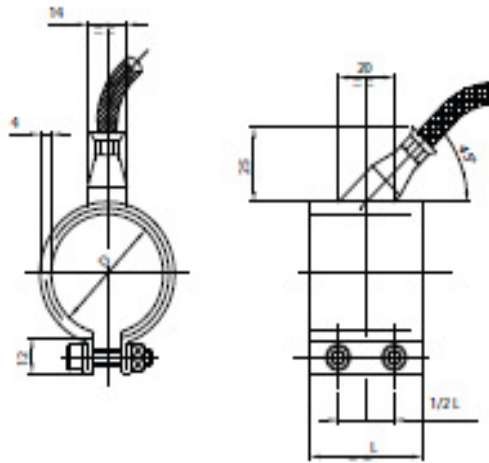




Mold Technology Ltd  
Po Box 34-785  
Birkenhead  
Auckland  
0746

## Moldtech Z17 Nozzle Heater Bands

Z17 Stainless Steel Band heaters are designed to meet the growing requirement for higher wattages and working temperatures. Z17 heaters are totally protected from the actions of corrosive plastics and are hermetically sealed from liquid plastics.



### Features:

Working Temperature 380 / 400°C  
Max Diameter 110mm  
Lead Length 2000mm  
Standard Operating Voltage 230V  
Built in Thermocouple options available

- Specific Wattage up to 8W/cm<sup>2</sup>
- Max Width 60mm
- Lead Exit Axial 45° Standard
- Other Voltages on request

### Construction:

Stainless Steel tube  
Continuous Mica Insulation  
PTFE/Fiberglass insulated Ni Conductors

- Ni-Cr 80/20 wire
- Flexible connection lead + Earth Wire
- Alternate lead exit options available